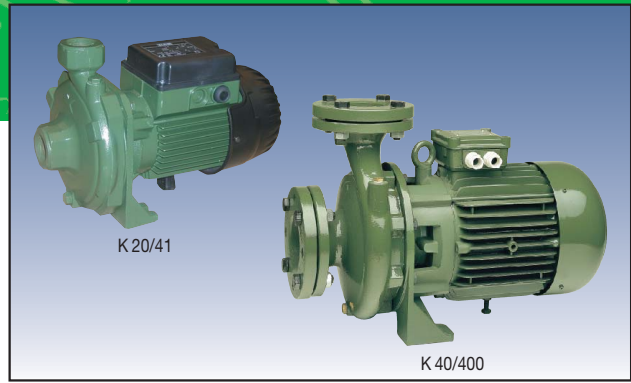


# K SINGLE IMPELLER PUMPS



Single impeller centrifugal pump designed for domestic, civil, industrial and agricultural installations and for decanting, mixing and irrigating uses. Cast iron pump body and motor support.

Technopolymer or cast iron impeller as indicated in the TECHNICAL DATA table. Stainless steel driving shaft. Carbon/ceramic mechanical seal. Asynchronous, closed motor, cooled by external ventilation. Built-in thermal and current overload protection and a capacitor permanently on in the single-phase version. For the protection of the three-phase motor it is advisable to use a suitable overload protection complying with the regulations in force.

**Operating range:** from 1.8 to 96 m<sup>3</sup>/h with head up to 62 metres.

**Pumped liquid characteristics:** clean, free from solids or abrasive substances, not viscous, not aggressive, not crystallised, chemically neutral and close to the characteristics of water.

**Liquid temperature range:** from -10°C to +50°C for K 20/41, K 30/70, K 30/100, K 36/100, K 12/200, K 36/200, K 40/200 from -15°C to +110°C for other pumps

**Maximum ambient temperature:** +40°C

**Maximum operating pressure:**

K 20/41, K 30/70, K 30/100, K 36/100, K 12/200, K 14/400: 6 bar (600 kPa)

K 36/200, K 40/200, K 55/200, K 11/500, K 18/500, K 28/500: 8 bar (800 kPa)

K 40/400, K 50/400, K 30/800, K 40/800, K 50/800,

K 20/1200, K 25/1200, K 35/1200: 10 bar (1000 kPa)

**Protection level:** IP 44

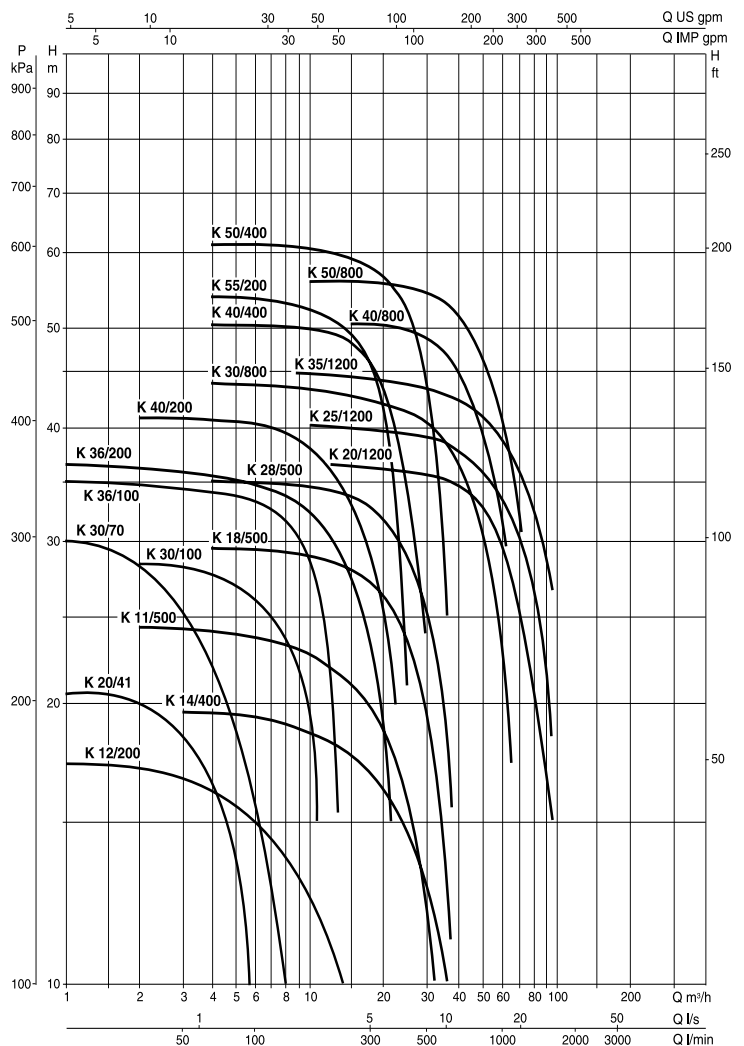
**Terminal board protection level:** IP 55

**Insulation class:** F

## TECHNICAL DATA

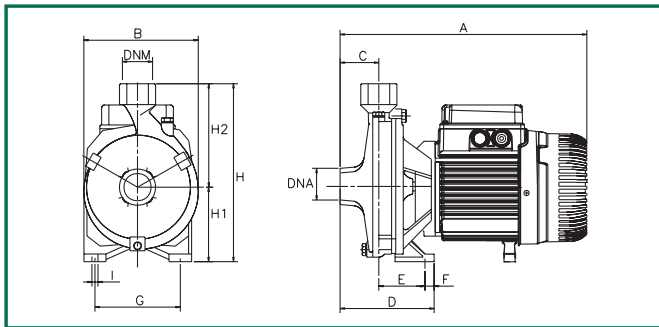
MODEL	ELECTRICAL DATA						
	VOLTAGE 50 Hz	P1 MAX kW	P2 NOMINAL kW HP		In A	CAPACITOR μF Vc	
K 20/41 M	1x220-240 V ~	0,65	0,37	0,5	3	10	450
K 20/41 T	3x230-400 V ~	0,64	0,37	0,5	2,3-1,3	-	-
K 30/70 M	1x220-240 V ~	1,3	0,75	1	6	20	450
K 30/70 T	3x230-400 V ~	1,2	0,75	1	4,3-2,5	-	-
K 30/100 M	1x220-240 V ~	1,6	1,1	1,5	8	31,5	450
K 30/100 T	3x230-400 V ~	1,63	1,1	1,5	5,5-3	-	-
K 36/100 M	1x220-240 V ~	2,1	1,85	2,5	8,8	40	450
K 36/100 T	3x230-400 V ~	2	1,85	2,5	6,9-4	-	-
K 12/200 M	1x220-240 V ~	1,05	0,75	1	4,6	20	450
K 12/200 T	3x230-400 V ~	1,02	0,75	1	3,6-2,1	-	-
K 36/200 T	3x230-400 V ~	3	2,2	3	9-5,2	-	-
K 40/200 T	3x230-400 V ~	3,5	3	4	11,1-6,4	-	-
K 55/200 T	3x230-400 V ~	4,9	4	5,5	16,3-9,4	40	-
K 14/400 M	1x220-240 V ~	2,1	1,85	2,5	9,5	-	450
K 14/400 T	3x230-400 V ~	2,1	1,85	2,5	7,4	-	-
K 11/500 T	3x230-400 V ~	2,6	2,2	3	9,1-5,8	-	-
K 18/500 T	3x230-400 V ~	3,4	3	4	10,2-5,9	-	-
K 28/500 T	3x230-400 V ~	4,5	4	5,5	14,7-8,5	-	-
K 40/400 T	3x400 V ~ Δ*	7	5,5	7,5	11,5	-	-
K 50/400 T	3x400 V ~ Δ*	9,4	7,5	10	15	-	-
K 30/800 T	3x400 V ~ Δ*	8,3	7,5	10	14	-	-
K 40/800 T	3x400 V ~ Δ*	11	9,2	12,5	18	-	-
K 50/800 T	3x400 V ~ Δ*	12,75	11	15	20,5	-	-
K 20/1200 T	3x400 V ~ Δ*	8,9	7,5	10	15,4	-	-
K 25/1200 T	3x400 V ~ Δ*	10	9,2	12,5	18	-	-
K 35/1200 T	3x400 V ~ Δ*	11,4	11	15	19,3	-	-

\* Star (Δ) starting is possible

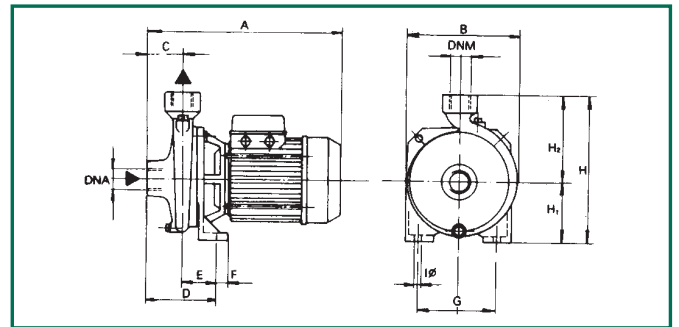


## DIMENSIONS AND WEIGHTS

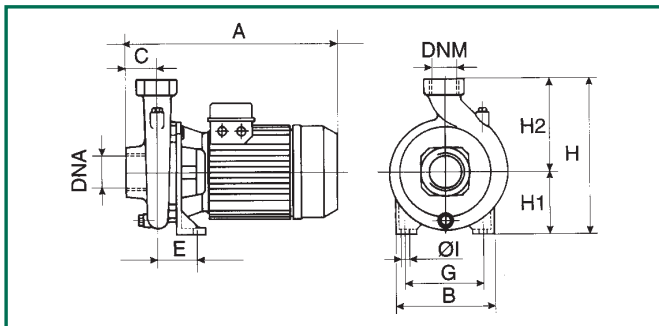
### K 20/41 - 30/70 - 12/200



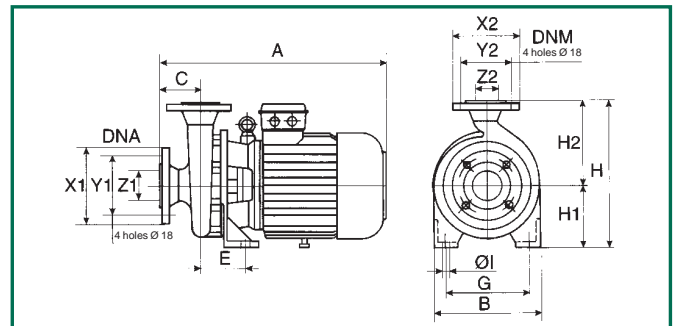
### K 30/100 - 36/100



### K 36/200 - 40/200 - 55/200 14/400 - 11/500 - 18/500 - 28/500



### K 40/400 - 50/400 - 30/800 - 40/800 - 50/800 20/1200 - 25/1200 - 35/1200



MODEL	A	B	C	D	E	G	ØI	H	H1	DNA	DNM	WEIGHT Kg
K 20/41	275	160	50	100	50	110	9	205	85	1" G	1" G	10
K 30/70	300	185	50	108	58	140	9	235	100	1" G	1" G	14,5
K 30/100	333	200	50	114	64	140	9	255	105	1 1/2" G	1" G	18,5
K 36/100	333	200	50	114	64	140	9	255	105	1 1/2" G	1" G	19,7
K 12/200	312	169	45	114	69	110	9	218	85	1 1/2" G	1 1/2" G	13,8
K 36/200	425	250	55	-	86	175	14	320	135	2" G	1 1/4" G	32,1
K 40/200	425	250	55	-	86	175	14	320	135	2" G	1 1/4" G	33,9
K 55/200	425	250	55	-	86	175	14	320	135	2" G	1 1/4" G	33,9
K 14/400 M	430	200	62	-	74	120	11	270	105	2" G	2" G	24,5
K 14/400 T	358	200	62	-	74	120	11	270	105	2" G	2" G	22
K 11/500	440	240	62	-	100	155	14	312	132	2 1/2" G	2" G	33,2
K 18/500	440	240	62	-	100	155	14	312	132	2 1/2" G	2" G	35,6
K 28/500	440	240	62	-	100	155	14	312	132	2 1/2" G	2" G	39,6
K 40/400	560	273	100	-	110	212	14	360	160	65	50	78,8
K 50/400	560	273	100	-	110	212	14	360	160	65	50	78,8
K 30/800	600	273	100	-	110	212	14	385	160	80	65	90,2
K 40/800	600	273	100	-	110	212	14	385	160	80	65	95
K 50/800	600	273	100	-	110	212	14	385	160	80	65	104,3
K 20/1200	600	273	100	-	110	212	14	385	160	80	65	88
K 25/1200	600	273	100	-	110	212	14	385	160	80	65	94
K 35/1200	600	273	100	-	110	212	14	385	160	80	65	100